

PODNOŽJA OSIGURAČA FUSE BASES



DOMITRAN d.o.o.

Krečeves 21
10380 Zelina
Hrvatska / Croatia
www.domitran.eu
domitran@domitran.eu



Proizvodni program / Production range

PODNOŽJA OSIGURAČA

- nazivni napon AC 690 V
- veličine 00C, 00, 0, 1, 2 i 3
- norme HRN EN 60269, IEC 60269, DIN EN 60269, DIN VDE 0636, ГOCT P 50339

Izvedbe :

- podnožja za uloške osigurača sa nožastim kontaktima tip NP
- podnožja za uloške osigurača sa vijčanim priključkom tip NPV
- montaža na montažnu ploču (vijci) - tip NP, NPV
- montaža na profilni nosač 35 mm - DIN EN 50022 (samo veličine 00C i 00)

FUSE - BASES

- rated voltage AC 690 V
- sizes 00C, 00, 0, 1, 2 and 3
- standards HRN EN 60269, IEC 60269, DIN EN 60269, DIN VDE 0636, ГOCT P 50339

Types :

- fuse - bases for low voltage HRC fuse - links with blade contacts - type NP
- fuse - bases for fuse - links with bolted connection - type NPV
- mounting on the mounting plate (screws) - type NP, NPV
- mounting on the mounting rail 35 mm - DIN EN 50022 (only sizes 00C and 00)

Materijal / Material

Tijelo podnožja osigurača

- poliamid PA 6.6 sa staklom - tip NP-00 i NPV-00
- duroplast - tip 2NP
- poliester sa staklom (V0 - UL94) - tip VRP3

Kontaktni dijelovi

Svi kontaktni dijelovi izrađeni su od posebnog elektrolitskog bakra - ECU ili bakrene legure.

Body of the fuse - base

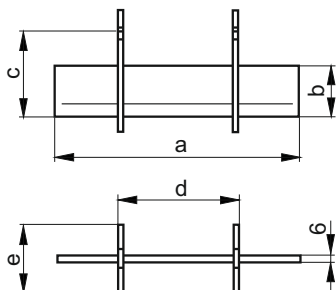
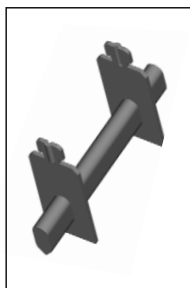
- polyamide PA 6.6 with glass - type NP-00 and NPV-00
- thermo - setting plastic - type 2NP
- polyester with glass (V0 - UL94) - type VRP3

Contact parts

All contact parts are made of silver - plated cooper - ECU or cooper alloy.

PRIBOR / ACCESSORIES

Rastavni noževi / Link plates

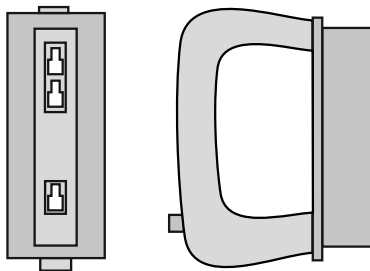


TIP TYPE	DIMENZIJE (mm) DIMENSIONS (mm)					TEŽINA (kg) WEIGHT (kg)
	a	b	c	d	e	
KS00 - 160 A - 690 V	78	15	35	48	21	0,08
KS0 - 160 A - 690 V	125	15	35	64	21	0,11
KS1 - 250 A - 690 V	135	20	40	67	44	0,13
KS2 - 400 A - 690 V	150	25	48	67	54	0,21
KS3 - 630 A - 690 V	150	32	60	67	70	0,32

Rastavni noževi mogu biti korišteni u podnožjima osigurača i u aparatima sa osiguračima normalne i vertikalne izvedbe u veličinama 00, 0, 1, 2 i 3 prema HRN EN 60269, DIN EN 60269, IEC 60269 i DIN VDE 0636.

Link plates can be used in fuse - bases and fuse devices in sizes 00, 0, 1, 2 and 3 to HRN EN 60269, DIN EN 60269, IEC 60269 and DIN VDE 0636.

Ručica osigurača / Fuse - handle



Ručica osigurača osigurava sigurno vađenje i umetanje uložaka osigurača i rastavnih noževa.
Dimenzije su prema DIN 43620 - 4.
Masa - 0,20 kg.

Fuse - handle ensure safe mounting and removal of fuse - links and link plates.
Dimensions are to DIN 43620 - 4.
Weight - 0,2 kg.

Kvaliteta / Quality

Kvaliteta proizvoda potvrđena je certifikatima VDE Prüf - und Zertifizierungsinstitut, ГOCT, Hrvatski registar brodova i KONČAR - Institut za elektrotehniku.

Quality of products is confirmed by certificates VDE Testing and Certification Institute, ГOCT, Croatian Register of Shipping and KONČAR - Electrical Engineering Institute.

PODNOŽJA OSIGURAČA / FUSE - BASES
Opis, tehnički podaci
Description, technical data
OPIS

Podnožja osigurača tip **NP** upotrebljavaju se za uloške osigurača sa nožastim kontaktima, a podnožja tip **NPV** za uloške osigurača sa vijčanim priključkom.

Podnožja se proizvode u veličinama 00C, 00, 0, 1, 2 i 3, a isporučuju se u jedнопolnoj ili tropsolnoj izvedbi.

Višepolna podnožja (vel. 00C, 00) sastavljaju se međusobnim spajanjem jedнопolnih podnožja i odvajaju se pregradama. Višepolna podnožja (vel. 1, 2, 3) sastavljaju se spajanjem jedнопolnih podnožja spojnicama i međusobno se odvajaju pregradama.

Kod podnožja veličina 00C, 00 postoji mogućnost ugradnje na profilni nosač 35 mm - DIN EN 50022 (vidi stranica 18 - Pribor).

Priključak podnožja osigurača predviđen je za:

- kabele sa kabelskim stopicama - tip NP, NPV
- direktni priključak kablova (obuhvatna stezaljka, prizma stezaljka) - tip NP

TEHNIČKI PODACI / TECHNICAL DATA

Nazivni napon	Rated voltage	AC 690 V
Nazivna struja/vel.	Rated current/size	160 A / 00C, 00, 0; 250A / 1; 400A / 2; 630A / 3
Stupanj onečišćenja	Degree of pollution	3 - prema / to IEC 60947, DIN EN 60947, DIN VDE 0110
Norme	Standards	HRN EN 60269, IEC 60269, DIN EN 60269, DIN VDE 0636, GOCT P 50339

TIP PRIKLJUČKA / TYPE OF CONNECTION

priključak connection	veličina size	opis description	
A	00	M8	obostrano mutually
	0	M8	
	1	M10	
	2	M10	
	3	M12	
B	00	OS00	obostrano mutually
	1	OS12	
	2	OS12	
C	00	OS00	+ vijak screw
	1	OS12	
	2	OS12	
D	00	M8	+ prizma stezaljka prism clamp
	1	M10	
	2	M10	
	3	M12	
E	00	M8	+ prizma stezaljka prism clamp
	1	M10	
	2	M10	
	3	M12	
F	00	P00	obostrano mutually
	1	P1	
	2	P2	
	3	P3	
G	00	P00	+ prizma stezaljka prism clamp
	1	P1	
	2	P2	
	3	P3	
H	00	P002*	obostrano mutually
	1	P12	
	2	P22	
	3	P32	
J	00	M8	obostrano mutually
	1	M10	
	2	M10	
	3	M12	
K	1	«V» stezaljka «V» shaped clamp	obostrano mutually
	2		

DESCRIPTION

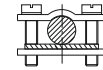
Fuse-bases are available for low voltage HRC fuse-links with blade contacts - type **NP**. For fuse-links with bolted connection are used fuse-bases type **NPV**.

Fuse-bases are produced in sizes 00C, 00, 0, 1, 2 and 3 and delivered in single - pole, or three - pole design. Multi - pole fuse - bases make as single - pole plugable bases and separated with partition walls (sizes 00C, 00), or as single - pole bases coupled with base - clips and separated with partition walls (sizes 1, 2 and 3).

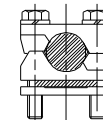
By fuse - bases sizes 00C, 00 there is possibility for mounting on mounting rail 35 mm - DIN EN 50022 (see page 18 - Accessories).

The connection of fuse-bases is made for:

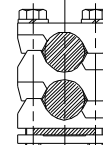
- cable with cable lugs - type NP, NPV
- direct terminal clamps (clip type terminal, prism clamp) Type NP

obuhvatna stezaljka / clip type terminal OS00, OS12


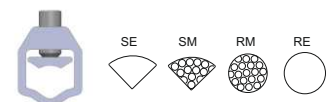
OS00 6 - 50 mm² - Cu
OS12 .. 25 - 150 mm² - Cu

prizma stezaljka / prism clamp P00, P1, P2, P3


P00 ... 10 - 70 mm² - Cu / Al
P1 70 - 150 mm² - Cu / Al
P2 ... 120 - 240 mm² - Cu / Al
P3 ... 120 - 300 mm² - Cu / Al

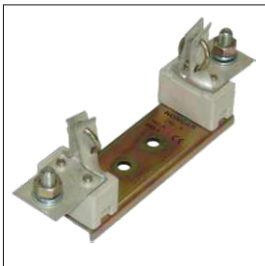
prizma stezaljka / prism clamp P002, P12, P22, P32


P002 ... 2 x (10 - 50 mm²) - Cu / Al
P12 2 x (70 - 95 mm²) - Cu / Al
P22 ... 2 x (120 - 150 mm²) - Cu / Al
P32 ... 2 x (120 - 240 mm²) - Cu / Al

«V» stezaljka «V» shaped clamp


SM 50-240mm² Cu/Al
SE 300mm² Cu/Al
RM 35-70mm² Cu/Al
RE 25-50mm² Cu/Al
Moment / Torque 22Nm

PODNOŽJA OSIGURAČA / FUSE - BASES
Pregled izvedbi
Summary of available types
JEDNOPOLNA IZVEDBA / SINGLE - POLE TYPE
NPV - 00, NP - 00

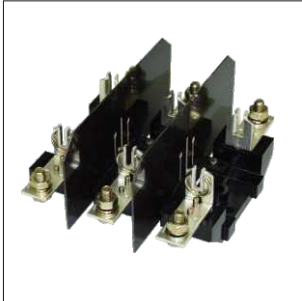
2NP - 0

NP - 1, NP - 2, NP - 3


Veličina Size	Nazivna struja (A) Rated current (A)	Priključak Connect.	Tip Type	Zaštitna kapa ** Protect. cap **	Pakovanje Packing (kom / pcs)	Masa (kg / kom) Weight (kg / pc)
00C	160	A	NPV - 00C		3	0,150
00	160	A	NPV - 00		3	0,175
		A	NP - 00/1	IK00	3	0,126
		B	NP - 00/1B	IK00	3	0,118
		C	NP - 00/1C	IK00	3	0,122
		D	NP - 00/1D	IK00	3	0,142
		E	NP - 00/1E	IK00	3	0,160
		F	NP - 00/1F	IK00	3	0,153
		G	NP - 00/1G	IK00	3	0,171
0	160	H	NP - 00/1H	IK00	3	0,189
1	250	A	2NP - 0/1		3	0,300
		A	NP - 1/1	IK1	3	0,280
		B	NP - 1/1B	IK1	3	0,270
		C	NP - 1/1C	IK1	3	0,275
		D	NP - 1/1D	IK1	3	0,338
		E	NP - 1/1E	IK1	3	0,388
		F	NP - 1/1F	IK1	3	0,396
		G	NP - 1/1G	IK1	3	0,446
2	400	H	NP - 1/1H	IK1	3	0,496
		A	NP - 2/1	IK2	3	0,340
		B	NP - 2/1B	IK2	3	0,330
		C	NP - 2/1C	IK2	3	0,335
		D	NP - 2/1D		3	0,453
		E	NP - 2/1E		3	0,526
		F	NP - 2/1F		3	0,566
		G	NP - 2/1G		3	0,639
3	630	H	NP - 2/1H		3	0,712
		A	NP - 3/1	IK3	3	0,570
		D	NP - 3/1D		3	0,737
		E	NP - 3/1E		3	0,820
		F	NP - 3/1F		3	0,904
		G	NP - 3/1G		3	0,987
		H	NP - 3/1H		3	1,070

TROPOLNA IZVEDBA / THREE - POLE TYPE
NP - 00

2NP - 0


Veličina Size	Nazivna struja (A) Rated current (A)	Priključak Connect.	Tip * Type *	Zaštitna kapa ** Protect. cap **	Pakovanje Packing (kom / pcs)	Masa (kg / kom) Weight (kg / pc)
00	160	A	NP - 00/3	IK00	1	0,401
		B	NP - 00/3B	IK00	1	0,377
		C	NP - 00/3C	IK00	1	0,389
		D	NP - 00/3D	IK00	1	0,449
		E	NP - 00/3E	IK00	1	0,503
		F	NP - 00/3F	IK00	1	0,497
		G	NP - 00/3G	IK00	1	0,551
		H	NP - 00/3H	IK00	1	0,569
0	160	A	2NP - 0/3		1	1,420
1	250	A	NP - 1/3	IK1	1	0,980
		B	NP - 1/3B	IK1	1	0,965
		C	NP - 1/3C	IK1	1	0,975
		D	NP - 1/3D	IK1	1	1,128
		E	NP - 1/3E	IK1	1	1,278
		F	NP - 1/3F	IK1	1	1,302
		G	NP - 1/3G	IK1	1	1,452
		H	NP - 1/3H	IK1	1	1,602

PODNOŽJA OSIGURAČA / FUSE - BASES
Pregled izvedbi
Summary of available types
TROPOLNA IZVEDBA / THREE - POLE TYPE
NP - 1, NP - 2, NP - 3


Veličina Size	Nazivna struja (A) Rated current (A)	Priključak Connect.	Tip * Type *	Zaštitna kapa ** Protect. cover **	Pakovanje Packing (kom / pcs)	Masa (kg / kom) Weight (kg / pc)
2	400	A	NP - 2/3	IK2	1	1,143
		B	NP - 2/3B	IK2	1	1,090
		C	NP - 2/3C	IK2	1	1,120
		D	NP - 2/3D		1	1,491
		E	NP - 2/3E		1	1,710
		F	NP - 2/3F		1	1,830
		G	NP - 2/3G		1	2,049
		H	NP - 2/3H		1	2,268
3	630	A	NP - 3/3	IK3	1	1,899
		D	NP - 3/3D		1	2,393
		E	NP - 3/3E		1	2,642
		F	NP - 3/3F		1	2,894
		G	NP - 3/3G		1	3,143
		H	NP - 3/3H		1	3,392

PODNOŽJA ZA PRIKLJUČAK NEUTRALNOG VODIČA / NEUTRAL TERMINAL BASES
NP - 00N

NP-00NR B


Veličina Size	Nazivna struja (A) Rated current (A)	Priključak Connection	Tip Type	Pakovanje Packing (kom / pcs)	Masa (kg / kom) Weight (kg / pc)
00	160	A	NP - 00N	3	0,128
			NP - 00NR	3	0,128
		B	NP - 00N B	3	0,123
			NP - 00NR B	3	0,123
		C	NP - 00N C	3	0,126
			NP - 00NR C	3	0,126
		D	NP - 00N D	3	0,161
			NP - 00NR D	3	0,161
		E	NP - 00N E	3	0,192
			NP - 00NR E	3	0,192
		F	NP - 00N F	3	0,194
			NP - 00NR F	3	0,194
		G	NP - 00N G	3	0,225
			NP - 00NR G	3	0,225
		H	NP - 00N H	3	0,256
			NP - 00NR H	3	0,256
1	250	A	NP - 1N	3	0,260
		B	NP - 1N B	3	0,250
		C	NP - 1N C	3	0,255
		D	NP - 1N D	3	0,318
		E	NP - 1N E	3	0,368
		F	NP - 1N F	3	0,376
		G	NP - 1N G	3	0,426
		H	NP - 1N H	3	0,476
2	400	A	NP - 2N	3	0,317
		B	NP - 2N B	3	0,307
		C	NP - 2N C	3	0,312
		D	NP - 2N D	3	0,430
		E	NP - 2N E	3	0,503
		F	NP - 2N F	3	0,545
		G	NP - 2N G	3	0,618
		H	NP - 2N H	3	0,691

Novi tipovi priključaka (J, K) dostupni su u jedнопolnoj i tropolnoj izvedbi. Vidi tabelu na str.4: Tip priključka

New types of connections (J, K) are available in one-pole and three-pole design. See table on page 4: Type of connections

**OZNAKA ZA NARUČIVANJE
ORDER DESIGNATION**
A

A - tip / type

Primjer / Example : NP - 00/1B

Napomene :

* - tropolna podnožja isporučuju se sa zaštitnim pregradama - tip ZP

** - zaštitne kape isporučuju se posebno
- mogućnost prigradnje vidi u tabeli

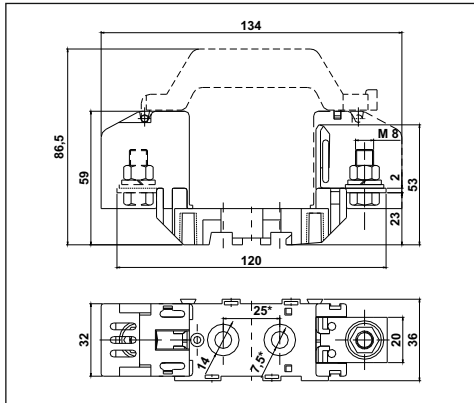
Remarks :

* - three - pole fuse - bases are delivered with partitional barriers - type ZP

** - protective cap are delivered separately
- possibility of the mounting - see table

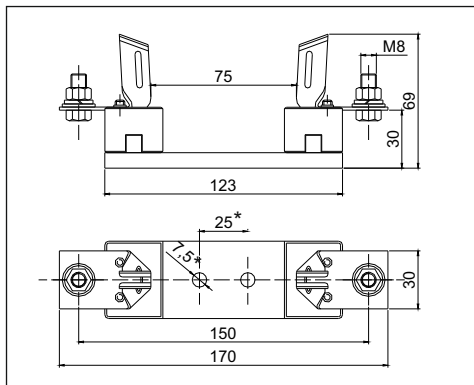
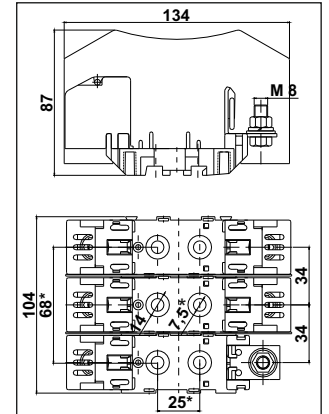
PODNOŽJA OSIGURAČA / FUSE - BASES

Mjerne skice
Dimension drawings



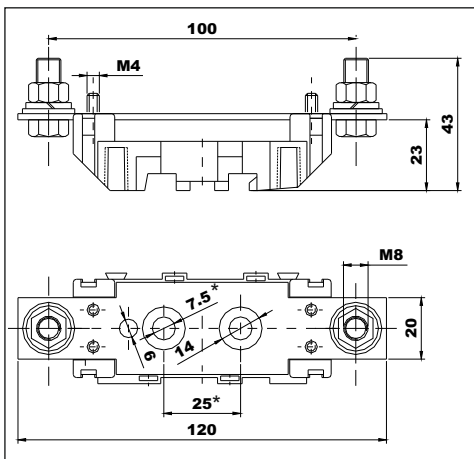
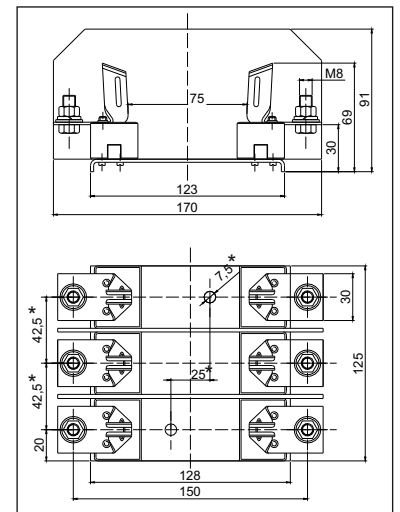
NP - 00/1

NP - 00/3



2NP - 0/1

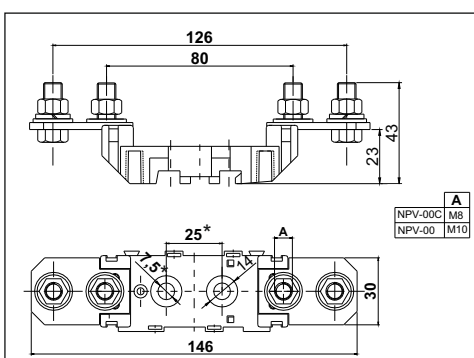
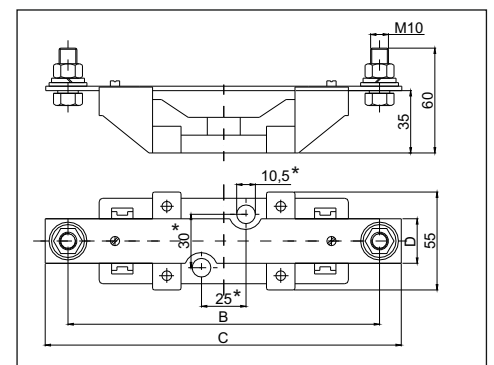
2NP - 0/3



NP - 00N

NP - 1N
NP - 2N

	NP - 1N	NP - 2N
B	175,6	200
C	200	230
D	25	30



NPV - 00C
NPV - 00

* - dimenzije za montažu / mounting dimensions
 - pričvršćenje trolpolnog podnožja NP - 00/3 izvesti sa minimalno četiri vijka (razmak rupa 25 x 68 mm)
 - fuse - base NP - 00/3 fasten with four screws minimaly (distance between holes 25 x 68 mm)

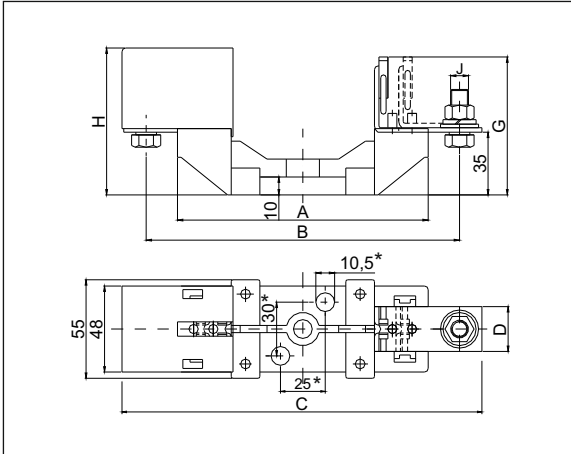
dimenzije su u mm / dimensions in mm

PODNOŽJA OSIGURAČA / FUSE - BASES

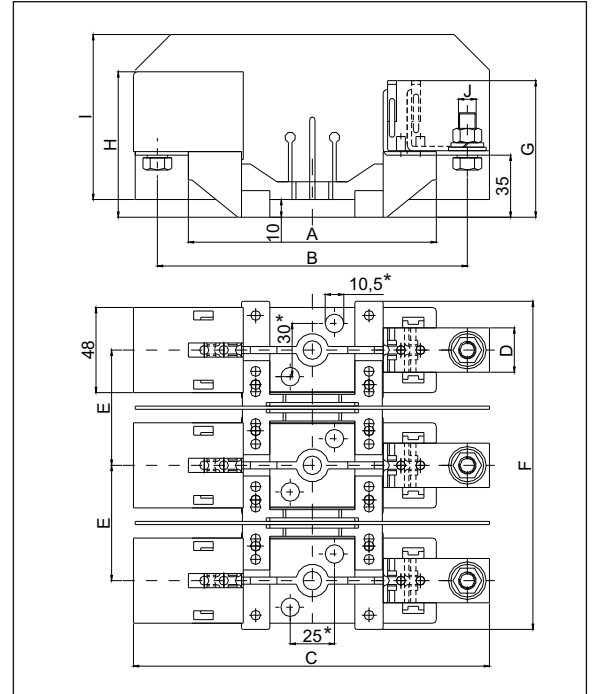
Mjerne skice

Dimension drawings

NP - 1/1, NP - 2/1, NP - 3/1



NP - 1/3, NP - 2/3, NP - 3/3



* - dimenzije za montažu / mounting dimensions

dimenzije su u mm / dimensions in mm

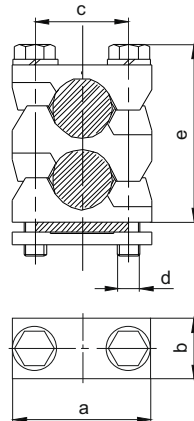
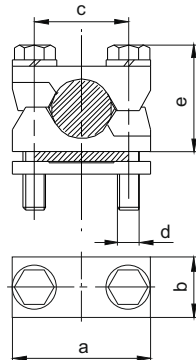
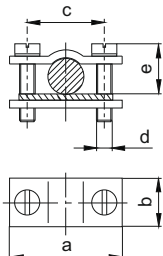
Tip / Type	A	B	C	D	E	F	G	H	I	J
NP - 1/1	140	175	200	25	-	-	76	82	-	M10
NP - 2/1	154	200	230	30	-	-	83	87	-	M10
NP - 3/1	154	210	250	30	-	-	91	95	-	M12
NP - 1/3	140	175	200	25	65	187	76	82	103	M10
NP - 2/3	154	200	230	30	65	187	83	87	112	M10
NP - 3/3	154	210	250	30	80	217	91	95	126	M12

OS00, OS12

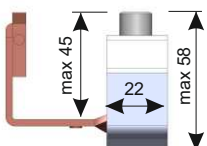
P00, P1, P2, P3

P002, P12, P22, P32

dimenzije su u mm / dimensions in mm


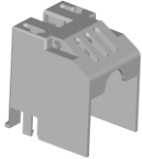



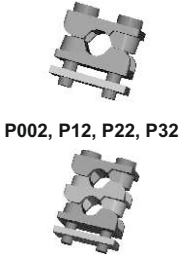
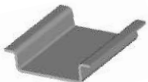



«V» stezaljka
«V» shaped clamp



Tip / Type	a	b	c	d	e _{max}
OS00	26	10	15	M5	15
OS12	36	16	25	M6	25
P00	24	15	15	M5	25
P002	24	15	15	M5	35
P1	37	20	25	M6	30
P12	37	20	25	M6	42
P2	42	22	28	M8	40
P22	42	22	28	M8	55
P3	50	25	30	M8	44
P32	50	25	30	M8	66

PODNOŽJA OSIGURAČA / FUSE - BASES
Pribor
Accessories

 <p>PZ00</p>	<p>ZAŠTITNI POKLOPAC, poklopac uloška osigurača vel. 00C i 00 PROTECTIVE COVER, cover of fuse - links sizes 00C and 00</p> <table border="1"> <thead> <tr> <th>Tip / Type</th> <th>Podnožje / Fuse - base</th> <th>Pakovanje (kom) / Packing (pcs)</th> <th>Masa (kg / kom) / Weight (kg / pc)</th> </tr> </thead> <tbody> <tr> <td>PZ00</td> <td>NP-00</td> <td></td> <td>0,008</td> </tr> </tbody> </table> <p>- zaštitni poklopac PZ00 ugrađuje se na zaštitne kape IK00 - protective cover PZ00 is used only with protective cap IK00</p>	Tip / Type	Podnožje / Fuse - base	Pakovanje (kom) / Packing (pcs)	Masa (kg / kom) / Weight (kg / pc)	PZ00	NP-00		0,008																																					
Tip / Type	Podnožje / Fuse - base	Pakovanje (kom) / Packing (pcs)	Masa (kg / kom) / Weight (kg / pc)																																											
PZ00	NP-00		0,008																																											
 <p>IK00, 1, 2, 3</p>	<p>ZAŠTITNA KAPA, kapa kontakta podnožja osigurača PROTECTIVE CAP, cap of fuse - base contact</p> <table border="1"> <thead> <tr> <th>Tip / Type</th> <th>Podnožje / Fuse - base</th> <th>Pakovanje (kom) / Packing (pcs)</th> <th>Masa (kg / kom) / Weight (kg / pc)</th> </tr> </thead> <tbody> <tr> <td>IK00</td> <td>NP-00</td> <td></td> <td>0,010</td> </tr> <tr> <td>IK1</td> <td>NP-1</td> <td></td> <td>0,040</td> </tr> <tr> <td>IK2</td> <td>NP-2</td> <td></td> <td>0,047</td> </tr> <tr> <td>IK3</td> <td>NP-3</td> <td></td> <td>0,058</td> </tr> </tbody> </table> <p>- potrebna su dva komada za jednopolno podnožje - two pieces for single - pole base required</p>	Tip / Type	Podnožje / Fuse - base	Pakovanje (kom) / Packing (pcs)	Masa (kg / kom) / Weight (kg / pc)	IK00	NP-00		0,010	IK1	NP-1		0,040	IK2	NP-2		0,047	IK3	NP-3		0,058																									
Tip / Type	Podnožje / Fuse - base	Pakovanje (kom) / Packing (pcs)	Masa (kg / kom) / Weight (kg / pc)																																											
IK00	NP-00		0,010																																											
IK1	NP-1		0,040																																											
IK2	NP-2		0,047																																											
IK3	NP-3		0,058																																											
 <p>ZP00, 1, 2, 3</p>	<p>ZAŠTITNA PREGRADA, fazna i završna pregrada PROTECTIVE BARRIER, phase and end barrier</p> <table border="1"> <thead> <tr> <th>Tip / Type</th> <th>Podnožje / Fuse - base</th> <th>Pakovanje (kom) / Packing (pcs)</th> <th>Masa (kg / kom) / Weight (kg / pc)</th> </tr> </thead> <tbody> <tr> <td>ZP00</td> <td>NP-00</td> <td></td> <td>0,018</td> </tr> <tr> <td>ZP1</td> <td>NP-1</td> <td></td> <td>0,026</td> </tr> <tr> <td>ZP2</td> <td>NP-2</td> <td></td> <td>0,035</td> </tr> <tr> <td>ZP3</td> <td>NP-3</td> <td></td> <td>0,060</td> </tr> </tbody> </table> <p>- zaštitne pregrade ZP1, ZP2 i ZP3 montiraju se na spojnicu podnožja SP123 kao fazne, a na NZP kao završne - protective barriers ZP1, ZP2 and ZP3 are phase barriers with base - clip SP123 and end barriers with base - clip NZP</p>	Tip / Type	Podnožje / Fuse - base	Pakovanje (kom) / Packing (pcs)	Masa (kg / kom) / Weight (kg / pc)	ZP00	NP-00		0,018	ZP1	NP-1		0,026	ZP2	NP-2		0,035	ZP3	NP-3		0,060																									
Tip / Type	Podnožje / Fuse - base	Pakovanje (kom) / Packing (pcs)	Masa (kg / kom) / Weight (kg / pc)																																											
ZP00	NP-00		0,018																																											
ZP1	NP-1		0,026																																											
ZP2	NP-2		0,035																																											
ZP3	NP-3		0,060																																											
 <p>SP123, NZP</p>	<p>SPOJNICA PODNOŽJA / BASE - CLIP</p> <table border="1"> <thead> <tr> <th>Tip / Type</th> <th>Podnožje / Fuse - base</th> <th>Pakovanje (kom) / Packing (pcs)</th> <th>Masa (kg / kom) / Weight (kg / pc)</th> </tr> </thead> <tbody> <tr> <td>SP123</td> <td>NP-1, 2, 3</td> <td></td> <td>0,033</td> </tr> <tr> <td>NZP</td> <td>NP-1, 2, 3</td> <td></td> <td>0,021</td> </tr> </tbody> </table> <p>- isporučuje se sa spojnim vijcima i maticama - mounting screws and nuts are included</p>	Tip / Type	Podnožje / Fuse - base	Pakovanje (kom) / Packing (pcs)	Masa (kg / kom) / Weight (kg / pc)	SP123	NP-1, 2, 3		0,033	NZP	NP-1, 2, 3		0,021																																	
Tip / Type	Podnožje / Fuse - base	Pakovanje (kom) / Packing (pcs)	Masa (kg / kom) / Weight (kg / pc)																																											
SP123	NP-1, 2, 3		0,033																																											
NZP	NP-1, 2, 3		0,021																																											
 <p>OS00, OS12</p>	<p>OBUHVAJNA STEZALJKA / CLIP TYPE TERMINAL</p> <table border="1"> <thead> <tr> <th>Tip / Type</th> <th>Podnožje / Fuse - base</th> <th>Priključak - Cu / Connection - Cu</th> <th>Pakovanje (kom) / Packing (pcs)</th> <th>Masa (kg / kom) / Weight (kg / pc)</th> </tr> </thead> <tbody> <tr> <td>OS00</td> <td>NP-00</td> <td>6 - 50 mm²</td> <td>3</td> <td>0,014</td> </tr> <tr> <td>OS12</td> <td>NP-1, 2</td> <td>25 - 150 mm²</td> <td>3</td> <td>0,030</td> </tr> </tbody> </table> <p>- mjerne skice vidi na stranici 7 / dimension drawings - see page 7</p>	Tip / Type	Podnožje / Fuse - base	Priključak - Cu / Connection - Cu	Pakovanje (kom) / Packing (pcs)	Masa (kg / kom) / Weight (kg / pc)	OS00	NP-00	6 - 50 mm ²	3	0,014	OS12	NP-1, 2	25 - 150 mm ²	3	0,030																														
Tip / Type	Podnožje / Fuse - base	Priključak - Cu / Connection - Cu	Pakovanje (kom) / Packing (pcs)	Masa (kg / kom) / Weight (kg / pc)																																										
OS00	NP-00	6 - 50 mm ²	3	0,014																																										
OS12	NP-1, 2	25 - 150 mm ²	3	0,030																																										
 <p>P00, P1, P2, P3 P002, P12, P22, P32</p>	<p>PRIZMA STEZALJKA / PRISM CLAMP</p> <table border="1"> <thead> <tr> <th>Tip / Type</th> <th>Podnožje / Fuse - base</th> <th>Priključak - Cu/Al / Connection - Cu/Al</th> <th>Pakovanje (kom) / Packing (pcs)</th> <th>Masa (kg / kom) / Weight (kg / pc)</th> </tr> </thead> <tbody> <tr> <td>P 00</td> <td>NP-00</td> <td>10 - 70 mm²</td> <td>3</td> <td>0,034</td> </tr> <tr> <td>P 1</td> <td>NP-1</td> <td>70 - 150 mm²</td> <td>3</td> <td>0,106</td> </tr> <tr> <td>P 2</td> <td>NP-2</td> <td>120 - 240 mm²</td> <td>3</td> <td>0,169</td> </tr> <tr> <td>P 3</td> <td>NP-3</td> <td>120 - 300 mm²</td> <td>3</td> <td>0,219</td> </tr> <tr> <td>P 002</td> <td>NP-00</td> <td>2 x (10 - 50 mm²)</td> <td>3</td> <td>0,047</td> </tr> <tr> <td>P 12</td> <td>NP-1</td> <td>2 x (70 - 95 mm²)</td> <td>3</td> <td>0,150</td> </tr> <tr> <td>P 22</td> <td>NP-2</td> <td>2 x (120 - 150 mm²)</td> <td>3</td> <td>0,230</td> </tr> <tr> <td>P 32</td> <td>NP-3</td> <td>2 x (120 - 240 mm²)</td> <td>3</td> <td>0,295</td> </tr> </tbody> </table> <p>- mjerne skice vidi na stranici 7 / dimension drawings - see page 7</p>	Tip / Type	Podnožje / Fuse - base	Priključak - Cu/Al / Connection - Cu/Al	Pakovanje (kom) / Packing (pcs)	Masa (kg / kom) / Weight (kg / pc)	P 00	NP-00	10 - 70 mm ²	3	0,034	P 1	NP-1	70 - 150 mm ²	3	0,106	P 2	NP-2	120 - 240 mm ²	3	0,169	P 3	NP-3	120 - 300 mm ²	3	0,219	P 002	NP-00	2 x (10 - 50 mm ²)	3	0,047	P 12	NP-1	2 x (70 - 95 mm ²)	3	0,150	P 22	NP-2	2 x (120 - 150 mm ²)	3	0,230	P 32	NP-3	2 x (120 - 240 mm ²)	3	0,295
Tip / Type	Podnožje / Fuse - base	Priključak - Cu/Al / Connection - Cu/Al	Pakovanje (kom) / Packing (pcs)	Masa (kg / kom) / Weight (kg / pc)																																										
P 00	NP-00	10 - 70 mm ²	3	0,034																																										
P 1	NP-1	70 - 150 mm ²	3	0,106																																										
P 2	NP-2	120 - 240 mm ²	3	0,169																																										
P 3	NP-3	120 - 300 mm ²	3	0,219																																										
P 002	NP-00	2 x (10 - 50 mm ²)	3	0,047																																										
P 12	NP-1	2 x (70 - 95 mm ²)	3	0,150																																										
P 22	NP-2	2 x (120 - 150 mm ²)	3	0,230																																										
P 32	NP-3	2 x (120 - 240 mm ²)	3	0,295																																										
 <p>TS 35x7,5</p>	<p>PROFILNI NOSAČ, DIN EN 50022 - 35 x 7,5 mm MOUNTING RAIL, DIN EN 50022 - 35 x 7,5 mm</p> <table border="1"> <thead> <tr> <th>Tip / Type</th> <th>Podnožje / Fuse - base</th> <th>Pakovanje (kom) / Packing (pcs)</th> <th>Masa (kg / kom) / Weight (kg / pc)</th> </tr> </thead> <tbody> <tr> <td>TS 35x7,5</td> <td>NP-00, NPV-00, NPV-00C</td> <td>2 m</td> <td>0,700</td> </tr> </tbody> </table>	Tip / Type	Podnožje / Fuse - base	Pakovanje (kom) / Packing (pcs)	Masa (kg / kom) / Weight (kg / pc)	TS 35x7,5	NP-00, NPV-00, NPV-00C	2 m	0,700																																					
Tip / Type	Podnožje / Fuse - base	Pakovanje (kom) / Packing (pcs)	Masa (kg / kom) / Weight (kg / pc)																																											
TS 35x7,5	NP-00, NPV-00, NPV-00C	2 m	0,700																																											
 <p>TS NP-00</p>	<p>MONTAŽNI PRIBOR TS / MOUNTING SET TS</p> <table border="1"> <thead> <tr> <th>Tip / Type</th> <th>Podnožje / Fuse - base</th> <th>Pakovanje (kom) / Packing (pcs)</th> <th>Masa (kg / kom) / Weight (kg / pc)</th> </tr> </thead> <tbody> <tr> <td>TS NP-00</td> <td>NP-00, NPV-00, NPV-00C</td> <td>3</td> <td>0,002</td> </tr> </tbody> </table> <p>- za montažu podnožja NP-00, NPV-00 i NPV-00C na profilni nosač 35 mm - DIN EN 50022 - for mounting of fuse - bases NP-00, NPV-00 and NPV-00C on mounting rail 35 mm - DIN EN 50022</p>	Tip / Type	Podnožje / Fuse - base	Pakovanje (kom) / Packing (pcs)	Masa (kg / kom) / Weight (kg / pc)	TS NP-00	NP-00, NPV-00, NPV-00C	3	0,002																																					
Tip / Type	Podnožje / Fuse - base	Pakovanje (kom) / Packing (pcs)	Masa (kg / kom) / Weight (kg / pc)																																											
TS NP-00	NP-00, NPV-00, NPV-00C	3	0,002																																											